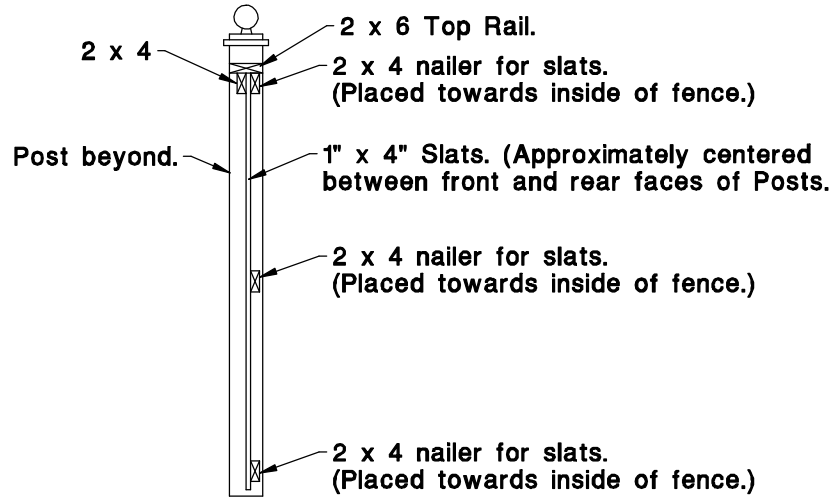
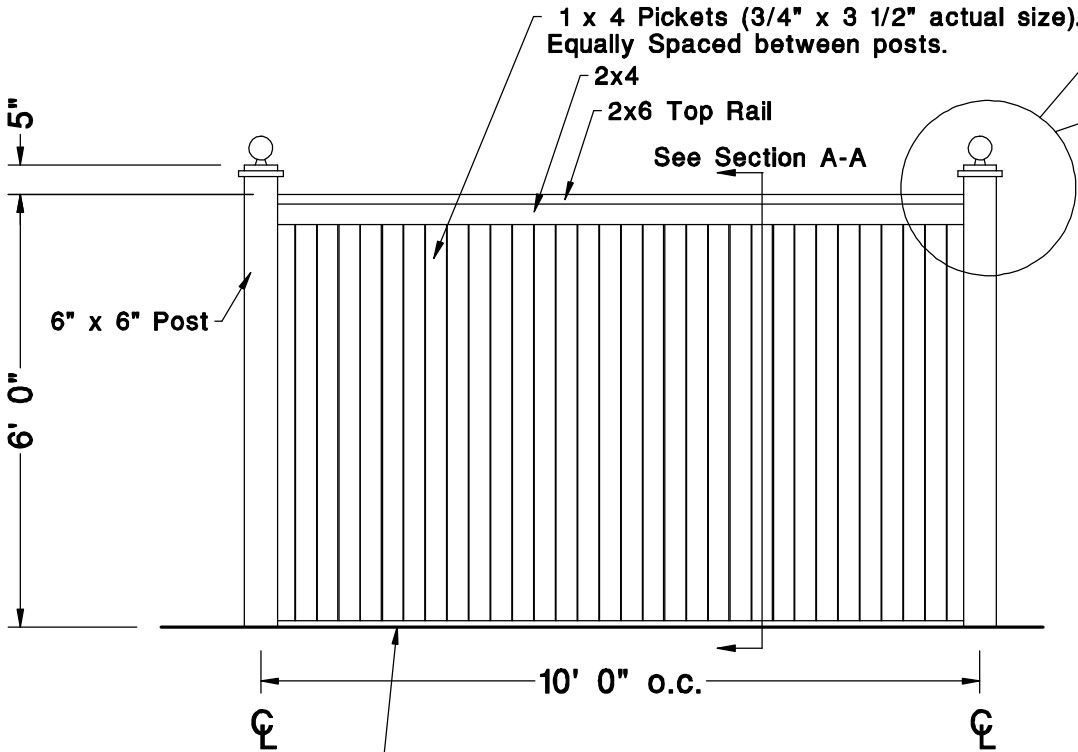
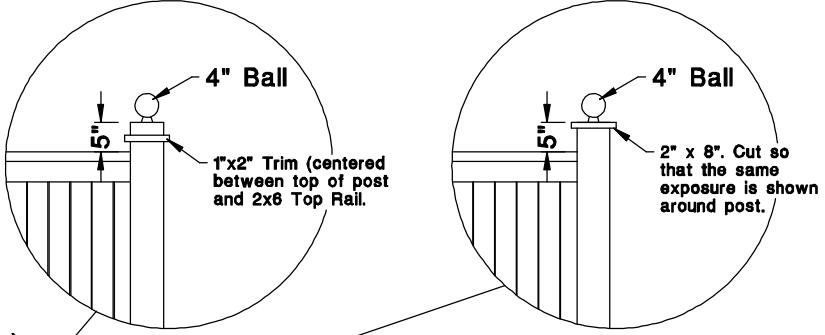


Either of the fence post tops are acceptable.



Section A-A

Approximate Grade. Leave gap between slats and ground for water passage.